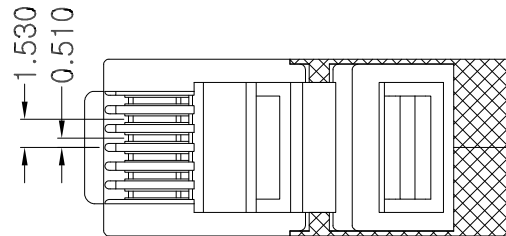
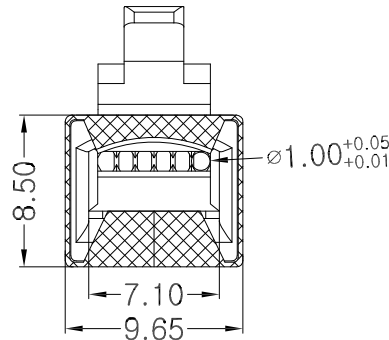
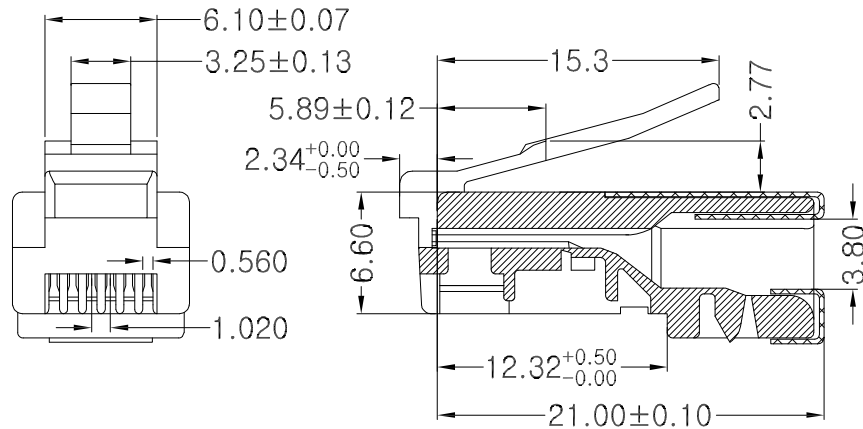
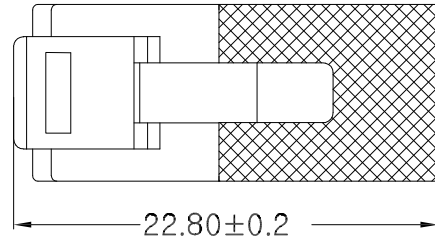


REV.	ECN NO OR DESCRIPTION	REVISED	DATE
AO	INITIAL RELEASE	KEN	20.09.21



Inspection for Environmental Protection:  
Based on the performed tests on submitted sample,  
the test results are Compliant with the limits  
of RoHS and REACH.

Electrical Test:

- A. 250V AC max, at 2A
- B. Dielectric withstanding 1000V DC/min, <0.5A.
- C. Insulation Resistance: >500 MΩ, 1000V DC/min,
- D. Contact Resistance: <20mΩ.

Mechanical:

- A. Cable-to-plug tensile strength-20LBS (89N) min.
- B. Durability: 2000 mating cycles.

Operating Temperature: -40°C ~ +125°C.

UNLESS OTHERWISE SPECIFIED TOLERANCES		Coorle Technology	
DECIMALS:	ANGLES:	TITLE	Modular Plugs 6P6CS L=23MM
X :±0.20	X :±3°	DWN	Michael 20.09.21 <b>PART-NO:RJ25S6601P003</b>
X.X :±0.10	X.X :±1°	CHKD	UNIT: mm
X.XX :±0.05		APVD	SHEET: 1 OF 1 SCALE: 1/1
<b>ENGINEERING COPY</b>			